

GEA Farm Technologies

Sampler Metatron

- Version "Turn&Mix" -

Instruction Manual / Installation Instructions / Parts List
7161-9001-038
10-1998

1 Sampler METATRON

The sampler enables the extraction of samples during milking without vacuum loss. During the milking session at each drain of the measuring reservoir a milk quantity, proportional to the time of opening, flows through the sampler into the sample reservoir. After completion of the milking session a milk sample has been collected, which is representative for the entire milk production. Prior to extraction this milk sample must be thoroughly mixed by intake of atmospheric air. After mixing the milk is drawn away, except for a residue, the actual sample. The remaining sample quantity can, if desired, be increased by shortening the suction hose.

2 Mounting

Place the collecting tank

Loosen the knurled screw, take the hose holder off and pull the hose from the extraction connection (fig. 1).

Slide the collecting tank with holder under the knurled screw and fasten the knurled screw. Connect the hoses as shown in fig. 2.



Note: The extracting hose A must have an inclination between the extraction point and the collecting tank. This inclination is a must to ensure a correct sample extraction from the sampler. The collecting tank must hang free.

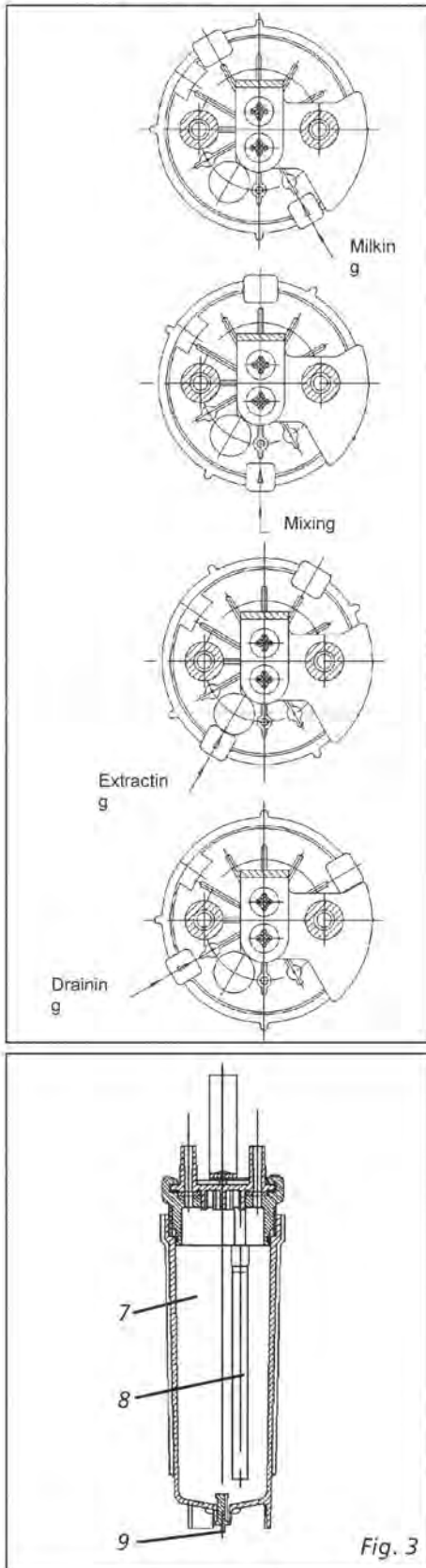


Fig. 1



Fig. 2

Functions



By rotating the sample reservoir four different functions can be set. The relevant positions are marked on the cover plate.

Milking

The tank stands at the right-hand stop. The procured sample flows into the tank.

Mixing

After completion of the milking cycle, the sample, collected in the tank, is mixed by admitting air (approx. 10 to 15 seconds).

Suction

The sample quantity, not required, is drawn away up to the lower end of the suction hose (8) in the milk line. Should the remaining quantity in the tank be too small for the required samples, shorten the suction hose (8) as desired.

Draining

The tank stands at the left-hand stop. The milk sample can now be taken with a sample flask, holding it under the bottom valve (9) of the tank.

ATTENTION!

Prior to the next milking session the device must be switched back to "MILKING".

Fig. 3

3 Cleaning

The sampler is integrated in the rinsing circuit of the milking installation and is cleaned during the rinsing cycle. When cleaning the collecting tank, there are two possibilities:

Manual cleaning

Remove the collecting tank and disassemble.

Swivel the plate over the position "MELKEN" by slightly lifting the stop, so that the catches of the lid unhook. The sliding sealing can now be removed for cleaning. Assembly is carried out in reverse order.



Note: After cleaning of the tank lid the sealing plate must be installed with the plasticized surface up!

Cleaning by connection to the rinsing circuit of the milking installation.

Loosen the knurled screw of the sampler and pull the collecting tank off. Turn the collecting tank upward by 180°. While doing this place the holder of the collecting tank over the hoses. Slide the holder back in the guiding and secure it with the knurled screw (fig. 4).

Connect the rinsing connection with the help of the rinse hose (part of the delivery) to the Tee and the short hose end with the rinsing line (fig. 5).

Additionally, pull the rinse hose, connecting the rinsing line with the milking cluster take-up, off the rinsing line.

Push the short hose end with the Tee on the connection of the rinse line and slide the rinse hose of the milking cluster take-up on the free end of the Tee. The sampler is now connected to the rinsing circuit.

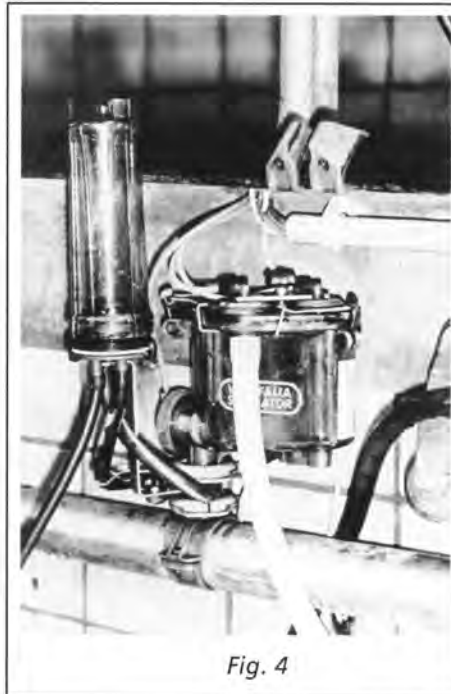


Fig. 4

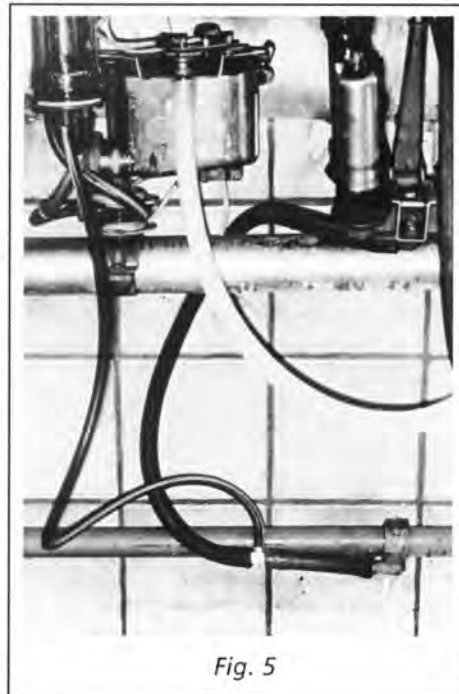


Fig. 5

After rinsing

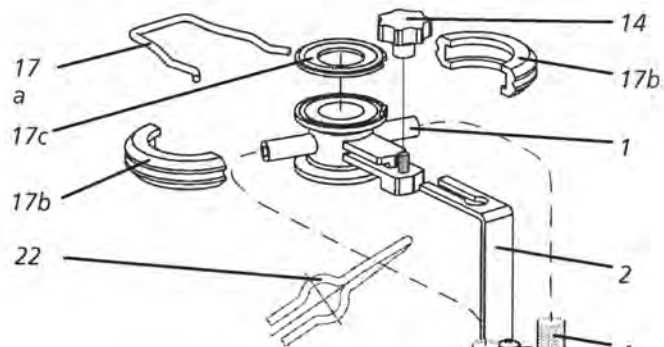
- the collecting tank must be turned back to the milking position in order to let residual water run off.
- Store the collecting tank in a clean, dry place until the next milk test. Avoid direct sun-rays.



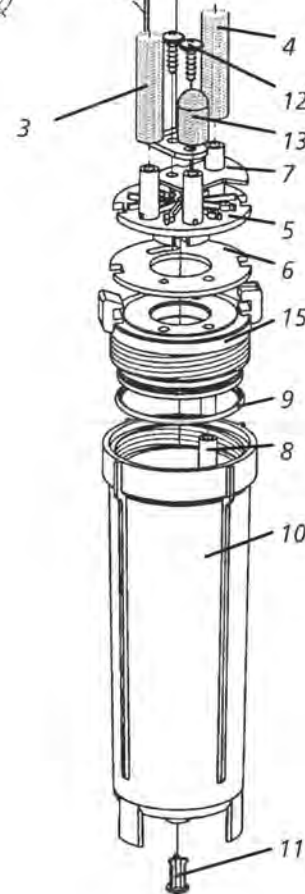
Note:

- Even small water quantities such as drops, which remaining in the collecting tank after rinsing, are able to dilute the fat sample of the initial milking of the next milking session.
- The floating ring seal (6) and the area between the plate (5) and the lid (15) must be cleaned by hand as required
- Prior to milking pull the rinse hose off the collecting tank lid and push on the rubber cap instead.

4 Spare parts



Item	Part-No.	Designation
	7161-2503-100	Sampler system compl.
1	7161-2513-010	Sampler
2	7161-2084-140	Holder
3	7036-2637-010	X Short milking hose 8.5x3.75x320
4	7161-2637-030	X Milking hose 8.5x3.75x320
5	7161-2467-060	Plate
6	7161-2479-010	Seal
7	7161-1244-030	Stop
8	7161-6638-000	Hose 7x2
9	0007-1945-700	X Sealing ring 65x3
10	7161-5588-000	Tank
11	7161-1731-010	X Valve block
12	0019-0850-300	Lens screw A6x20
13	7047-1090-030	Cap
14	0021-3134-700	Star knob 32/M6
15	7161-2457-020	Lid for sample extraction
16	7161-2045-030	T-hose connection
17	7161-3270-000	Bracket compl.
17a	7161-2097-140	Bracket
17b	7161-2653-000	Clamping bracket
17c	0007-3239-890	Sealing ring
20	7027-2637-008	Hose 8.x3.75
21	7009-2865-008	Hose 12x5.5
22	7161-2084-130	Hose holder
X - Wear part. Replace after 1500 hours operation during regular service.		



GEA Farm Technologies

GEA WestfaliaSurge Deutschland GmbH

Siemensstraße 25-27, D-59199 Bönen (Germany)
Tel. +49 (0) 2383 / 93-70, Fax. +49 (0) 2383 / 93-80
www.gea-farmtechnologies.com

Milk control unit Metatron Select 21



Offers you milk functions for high animal and milking comfort through:

- Display of information in the **preparation phase** (animal number) and warnings (milking prohibition, conductance, milk, feeding rests)
- In the **milking phase** (current milk quantity and animal numbers, warning details via up-to-date conductance alarm, measures taken by the milker such as manual removal or selection of animals)
- In the **milk end phase** (red signal for end of milking, short information of milk quantity and animal numbers as well as alarms for milk and conductance)
- Automatic control of pulsation and individual animal stimulation for speedy and gentle milking and therefore giving a higher throughput
- Automatic, milk flow controlled milking out and detaching for complete milk out at a higher milk output as well as saving of time
- Possible combination with the milking control unit Metatron Premium 21
- In connection with the Metatron milk meter body it can provide an ICAR approved milk quantity measurement
- Robust, water-proof terminal in a space-saving design
- Terminal flexibly installed for individual fitting which offers the user best ergonomics